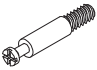





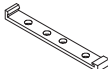


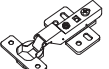




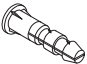




Oslo Buffet

Assembly Instructions

Thank you for your purchase.
Please follow the instructions below for correct assembly.

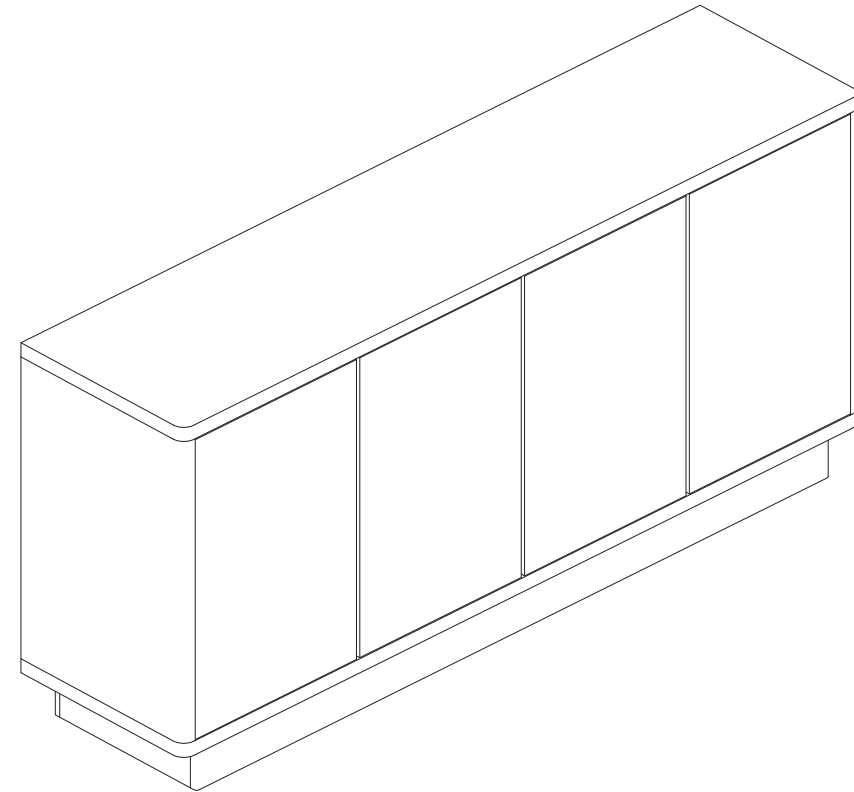
mocka

A  bolt x32	B  nut x32	C  dowel x12	D  3"12 screw x56	E  clip x8
F  5"50 screw x6	G  clip x4	H  spacer x4	I  hinge x4	J  hinge x4
K  3"14 screw x8	L  wedge x8	M  washer x4	N  4"14 screw x2	O  wall plug x2
P  safety strap x2	Q  4"35 screw x2	Hardware Supplied		



Phillips & Flathead screwdrivers required.

For quicker assembly, we recommend the use of a power drill on a low-speed setting.

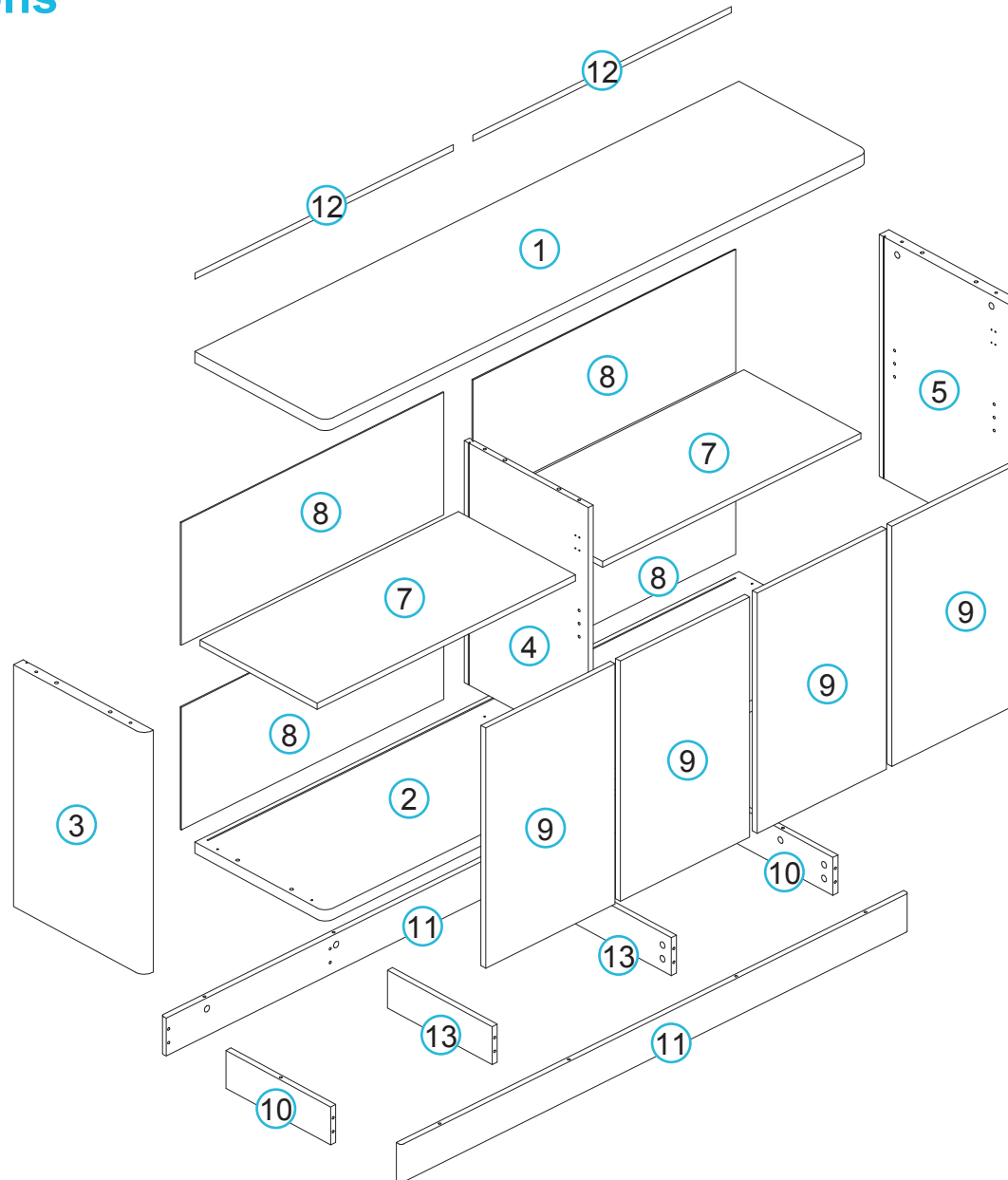


WARNING: Any furniture that is not anchored to a wall has the potential to tip over in certain circumstances, ie. if a child attempts to climb on the furniture or in the event of an earthquake. Accordingly, we recommend that all furniture is anchored to a wall. We supply a free safety wall anchor with all furniture sold and we recommend these are used to prevent your product tipping. The fixing device provided should fit most wall types, but please note that different wall materials may require different fixing devices from those supplied.

Oslo Buffet

Assembly Instructions

mocka

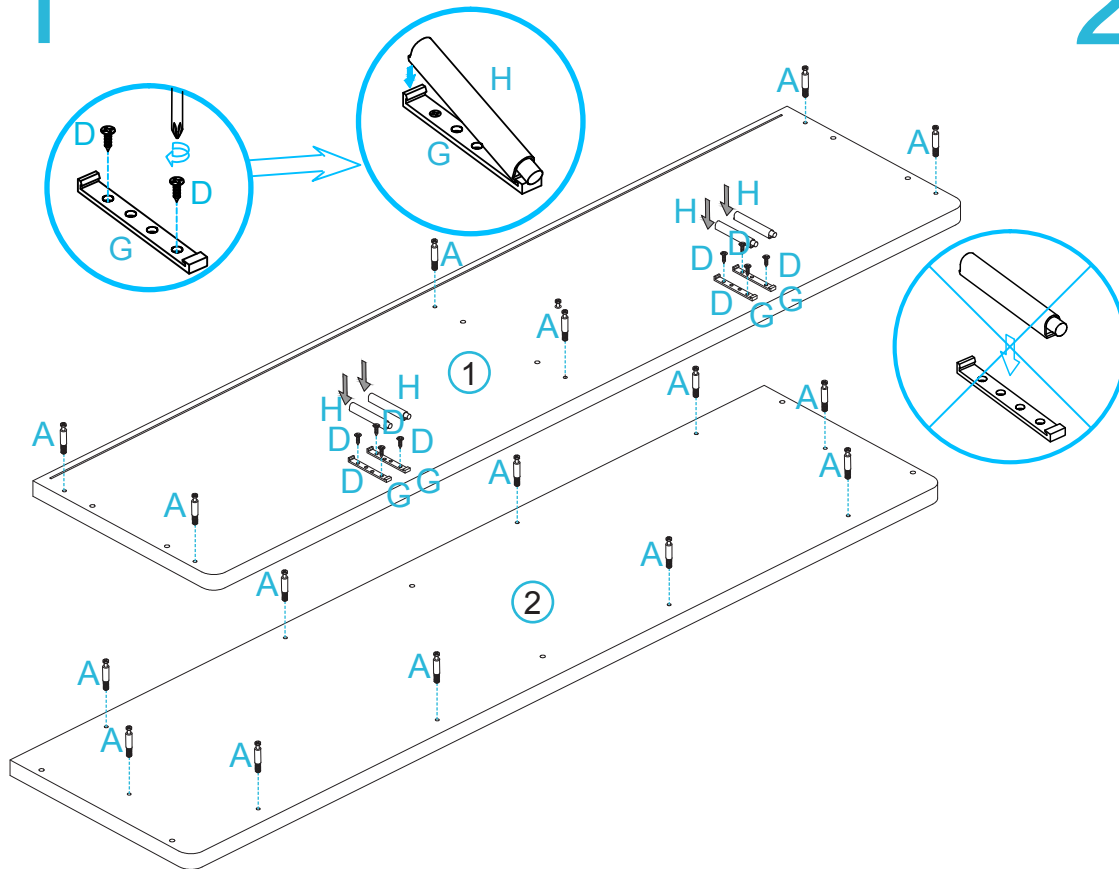


Oslo Buffet

Assembly Instructions

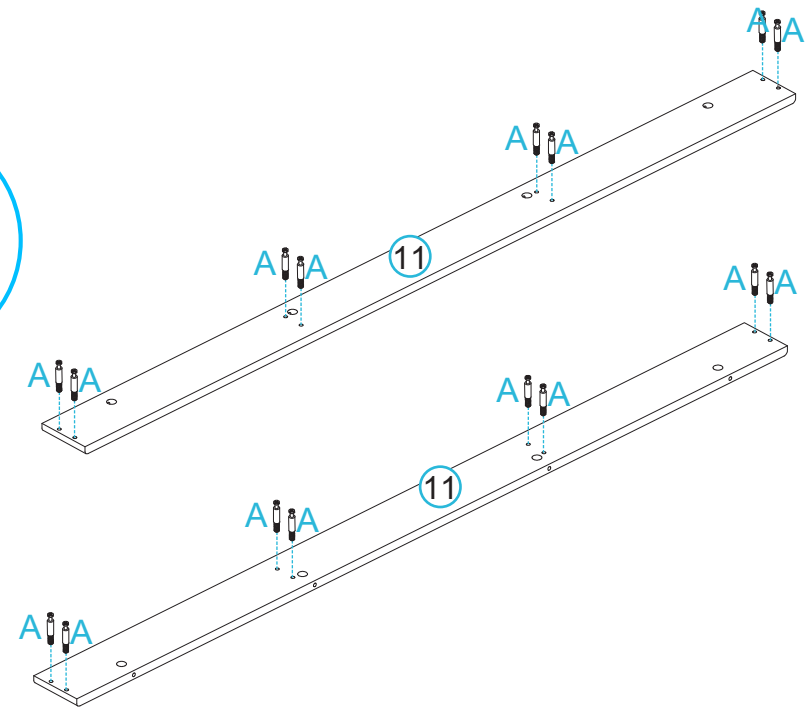
mocka

1



Attach 16 x bolts (A) to panels [1] and [2] as shown. Attach 4 x clips (G) and 4 x spacers (H) to panel [1] and secure with 8 x screws (D). Tighten with a screwdriver.

2



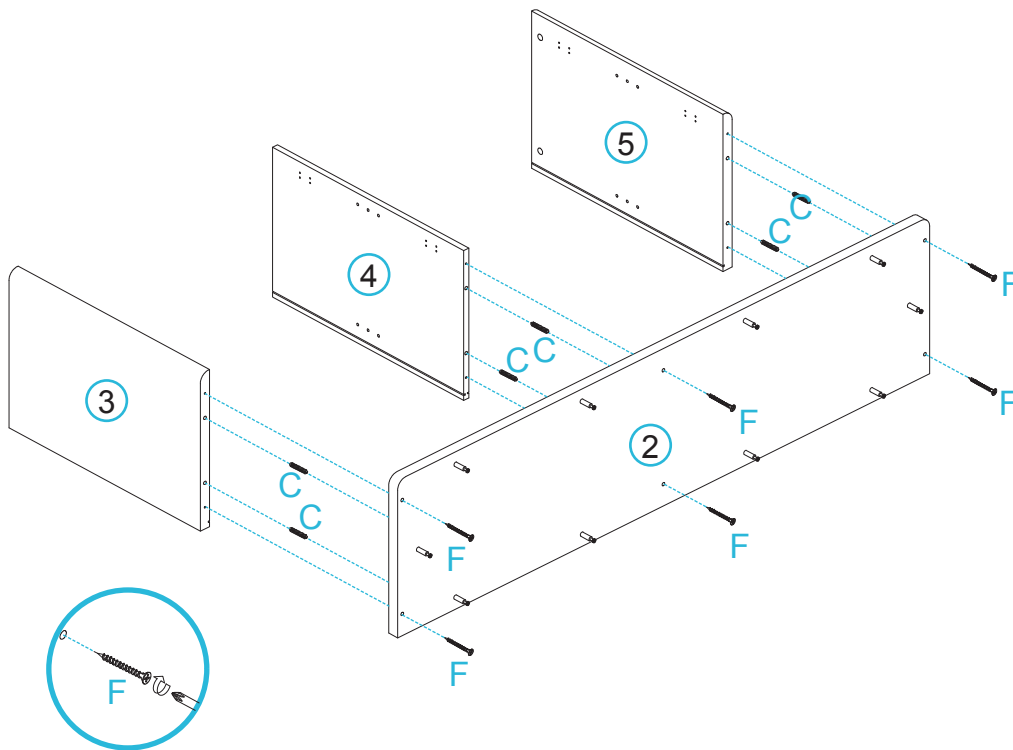
Attach 16 x bolts (A) to panels [11] as shown. Tighten with a screwdriver.

Oslo Buffet

Assembly Instructions

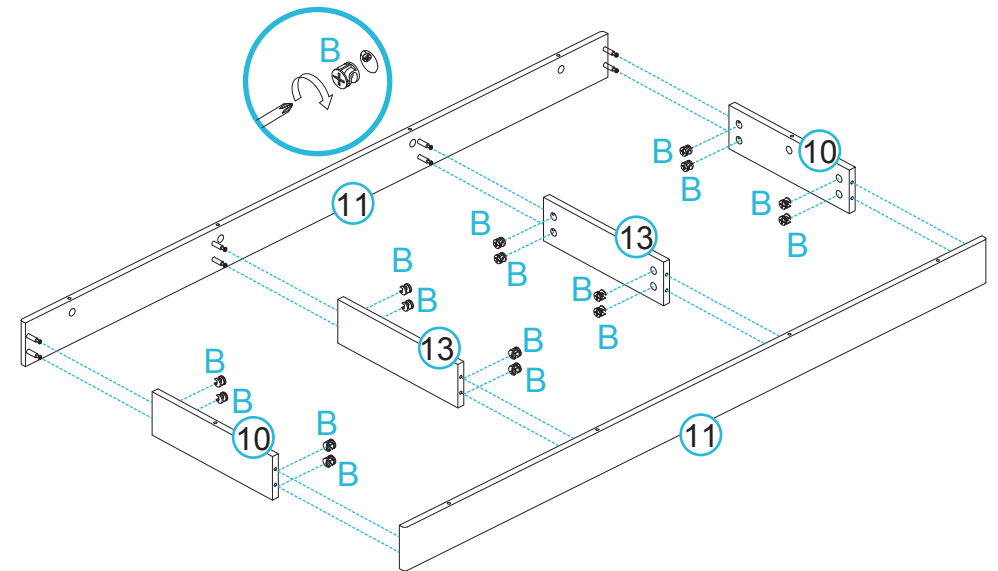
mocka

3



Attach panel [2] to panels [3], [4] and [5] and secure with 6 x dowels (C) and 6 x screws (F). Tighten with a screwdriver.

4



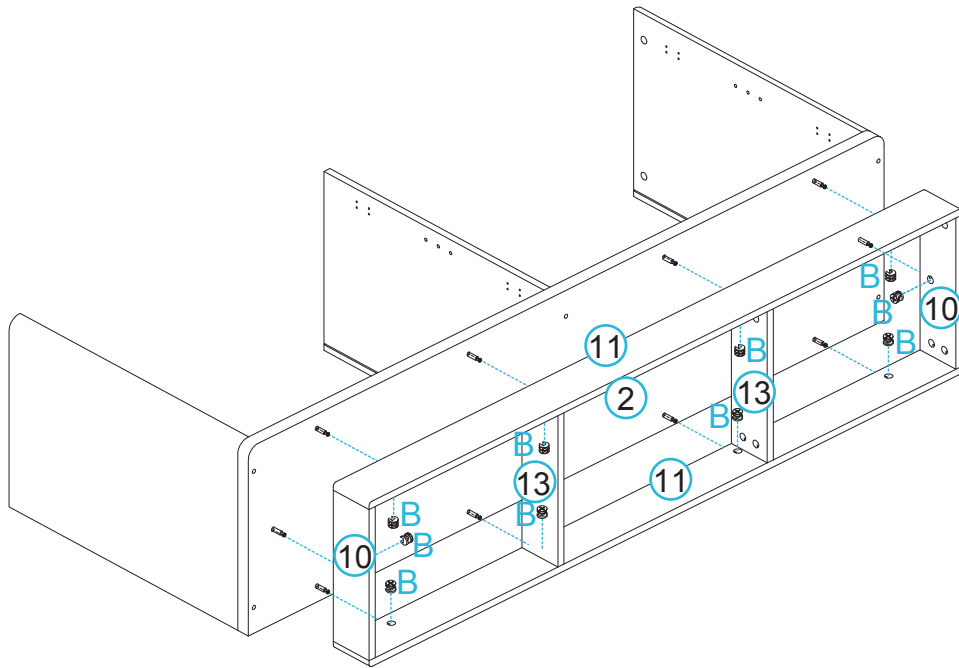
Attach panels [10], [13] and [11] together as shown and secure with 16 x nuts (B). Tighten with a screwdriver.

Oslo Buffet

Assembly Instructions

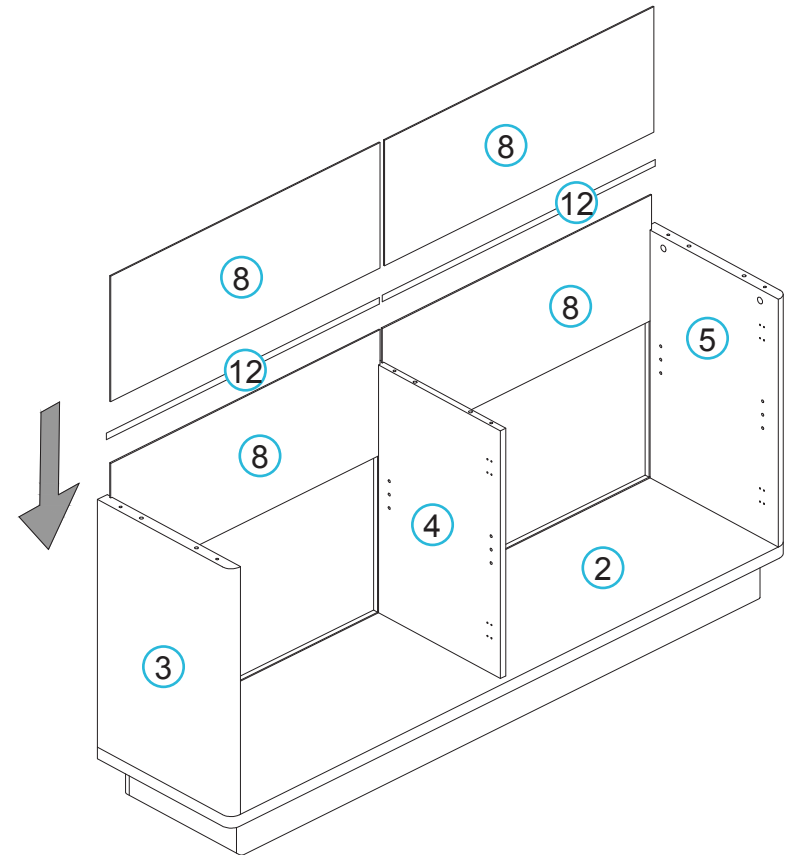
mocka

5



Attach assembled frames together as shown and secure with 10 x screws (B). Tighten with a screwdriver.

6



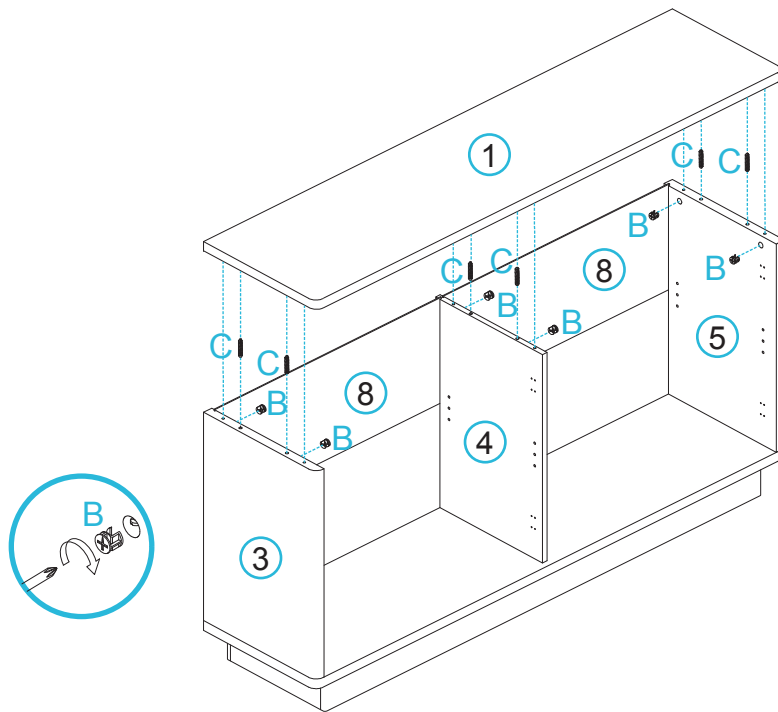
Slide panels [8] and [12] into position as shown.

Oslo Buffet

Assembly Instructions

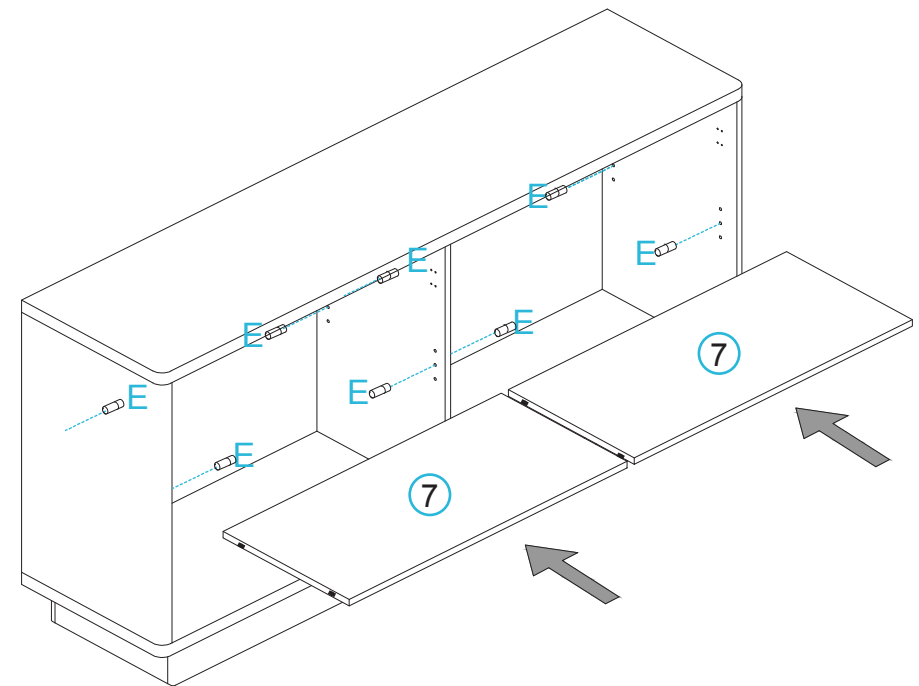
mocka

7



Attach panels [1] to panels [3], [4], [5] and [8] and secure with 6 x nuts (B) and 6 x dowels (C). Tighten with a screwdriver.

8



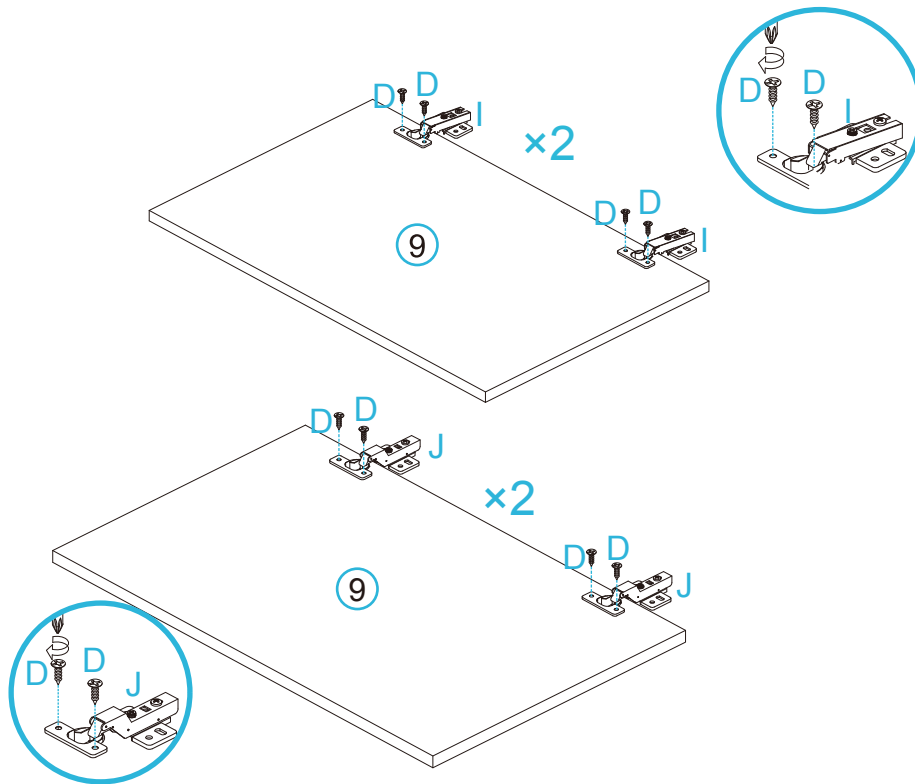
Attach 8 x clips (E) to assembled frame and slide panels [7] into position as shown.

Oslo Buffet

Assembly Instructions

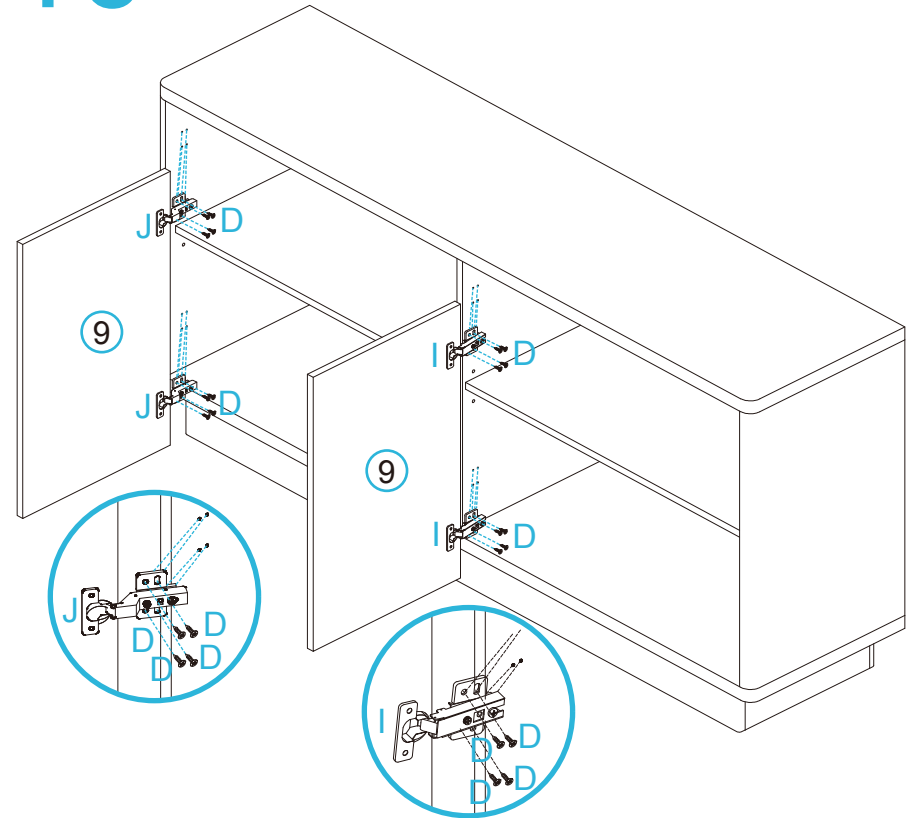
mocka

9



Attach 4 x hinge (J) and 4 x hinge (I) to panels [9] as shown and secure with 16 x screws (D). Tighten with a screwdriver.

10



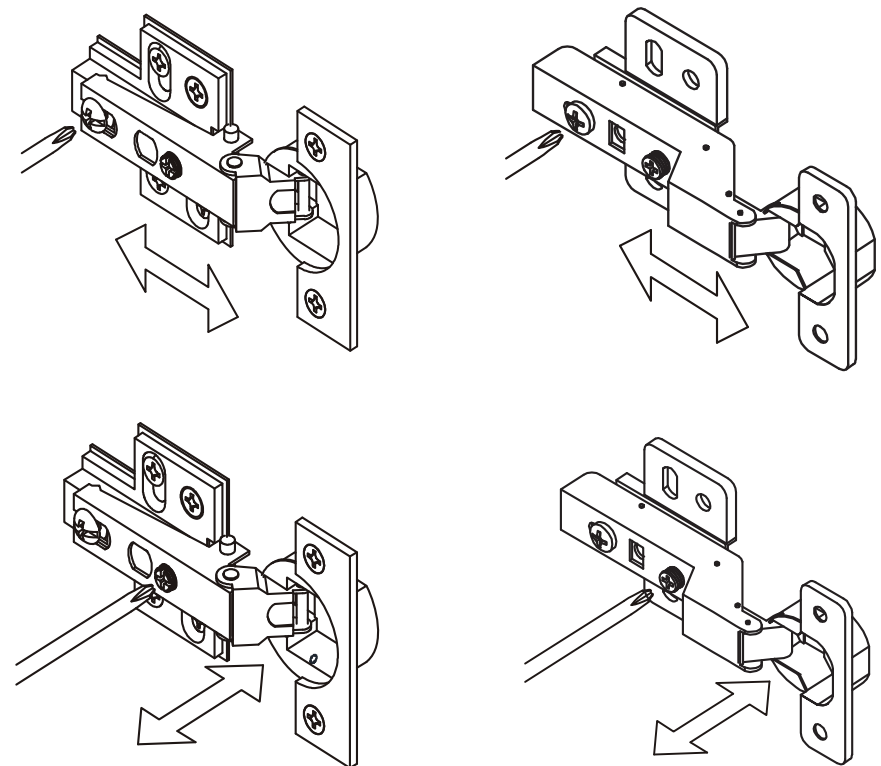
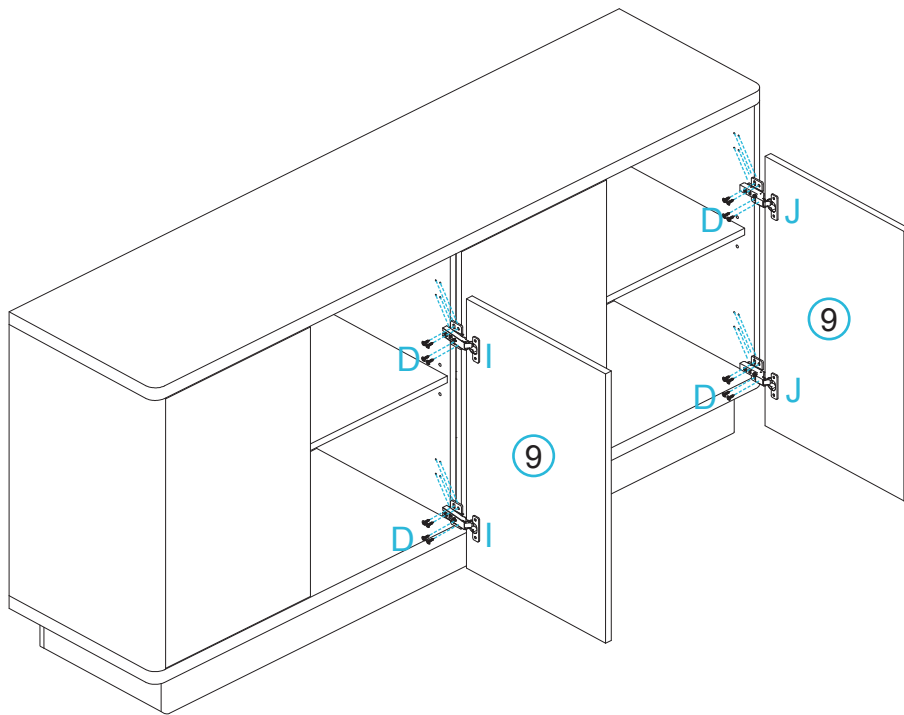
Attach panels [9] to assembled frame as shown and secure with 16 x screws (D). Tighten with a screwdriver.

Oslo Buffet

Assembly Instructions

mocka

11



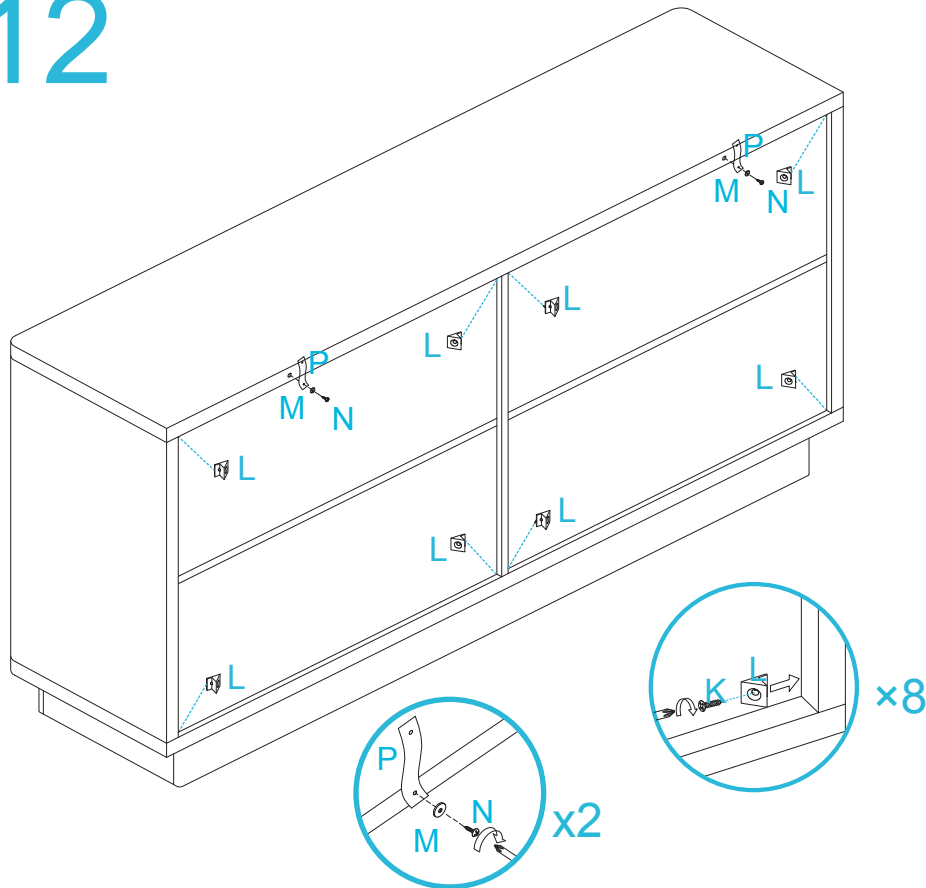
Attach panels [9] to assembled frame as shown and secure with 16 x screws (D). Tighten with a screwdriver.

Oslo Buffet

Assembly Instructions

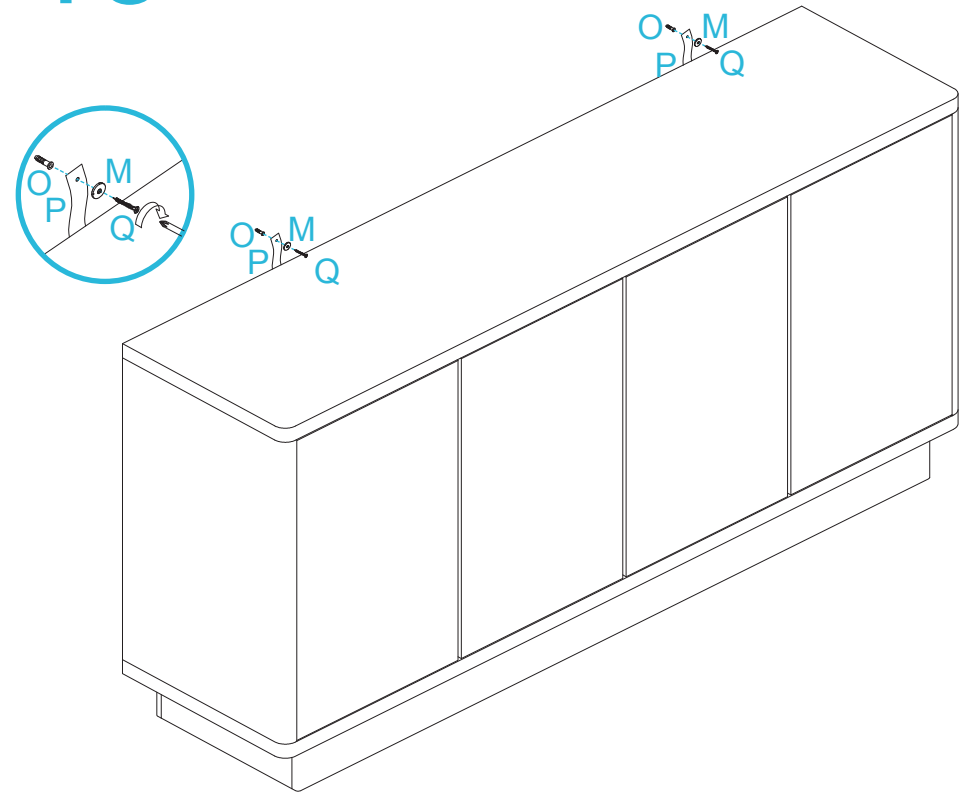
mocka

12



Attach 8 x wedges (L) as shown and secure with 8 x screws (K). Tighten with a screwdriver. Attach 2 x wall straps (P) to back of assembled frame and secure with 2 x washers (M) and 2 x screws (N) . Tighten with a screwdriver .

13



Once assembled lift furniture into place, do not drag. Use a drill to create a small hole lining up with the top of the 2 x safety straps (P). Fasten to the wall using 2 x wall plugs (O), 2 x screws (Q) and 2 x washers (M). Ensure unit is balanced and steady before use. You're done, enjoy!